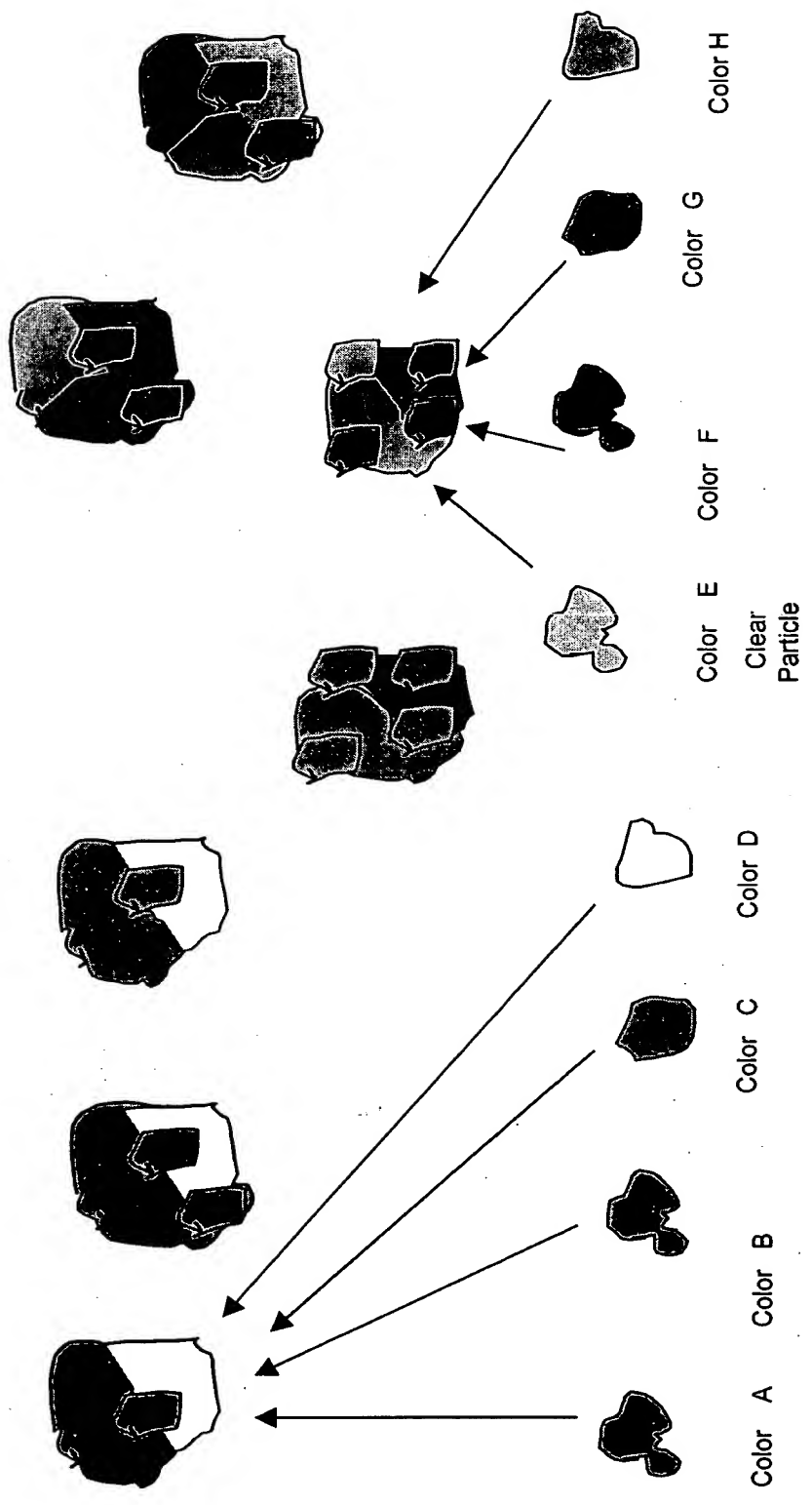


Fig 1.





09977420-4404

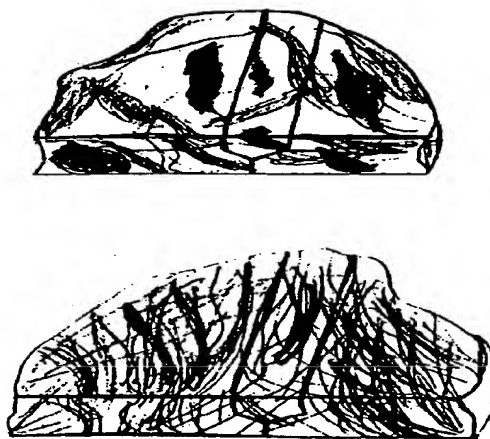
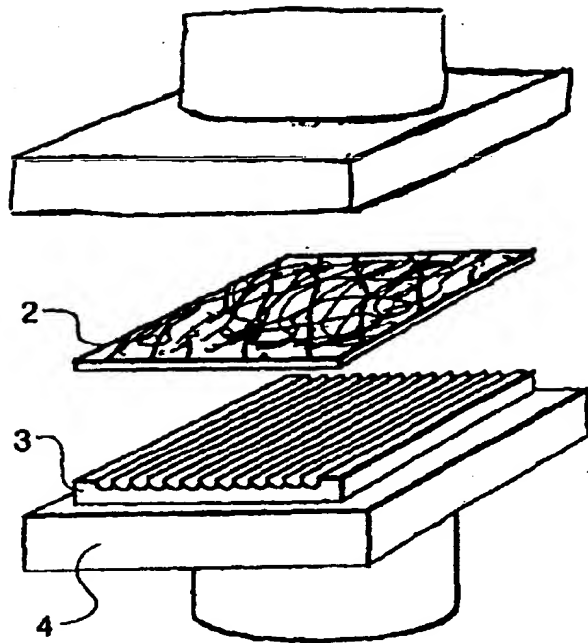


Fig. 3

Fig. 4



OFFICE OF THE SECRETARY